



# BEARING UNITS

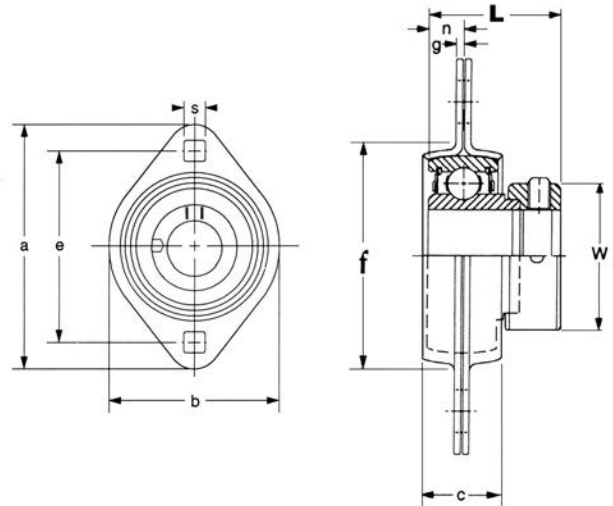
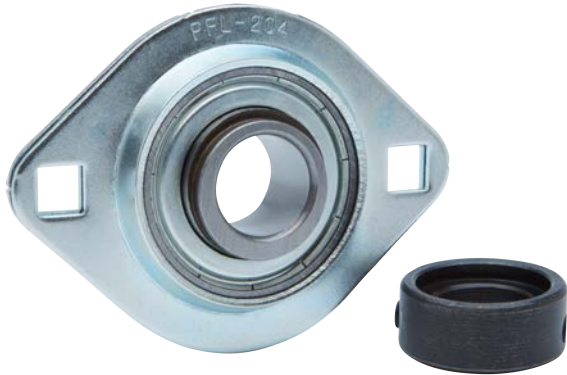


## TWO BOLT FLANGETTE UNITS

### SAPFL 200 Series

Normal Duty

Eccentric Collar Locking



Unit No.	Shaft Dia.		Dimensions inch / mm									Bolt Size	Bearing No.	Housing No.	Weight Lbs kg	
	In.	mm	a	e	g	c	s	b	f	L	n					W
SAPFL 201-8 202-10	1/2 5/8		3-3/16 81.0	2-33/64 63.9	5/64 2.0	9/16 14.3	9/32 7.1	2-21/64 59.1	1-59/64 48.8	1.126 28.6	0.236 6.0	1-1/8 28.6	1/4 M6	SA 201-8 202-10	PFL203	0.44 0.20
SAPFL 204 204-12	3/4	20	3-35/64 90.1	2-51/64 71.0	3/32 2.4	5/8 15.9	11/32 8.7	2-5/8 66.7	2-7/32 56.4	1.220 31.0	0.276 7.0	1-1/4 31.8	5/16 M8	SA 204 204-12	PFL204	0.66 0.3
SAPFL 205 205-14 205-15 205-16	7/8 15/16 1	25	3-3/4 95.3	2-63/64 75.8	3/32 2.4	21/32 16.7	11/32 8.7	2-51/64 71.0	2-3/8 60.3	1.220 31.0	0.295 7.5	1-1/2 38.1	5/16 M8	SA 205 205-14 205-15 205-16	PFL205	0.66 0.3
SAPFL 206 206-17 206-18 206-19 206-20	1-1/16 1-1/8 1-3/16 1-1/4S	30	4-7/16 112.7	3-35/64 90.1	7/64 2.8	21/32 16.7	13/32 10.3	3-5/16 84.1	2-51/64 71.0	1.406 35.7	0.315 8.0	1-3/4 44.5	3/8 M10	SA 206 206-17 206-18 206-19 206-20	PFL206	1.10 0.5
SAPFL 207 207-20 207-21 207-22 207-23	1-1/4 1-5/16 1-3/8 1-7/16	35	4-29/32 124.6	3-15/16 100.0	7/64 2.8	7/8 22.2	13/32 10.3	3-11/16 93.7	3-3/16 81.0	1.531 38.9	0.335 8.5	2-3/16 55.6	3/8 M10	SA 207 207-20 207-21 207-22 207-23	PFL207	1.54 0.7

Standard Stock Item is Zinc Plated.