



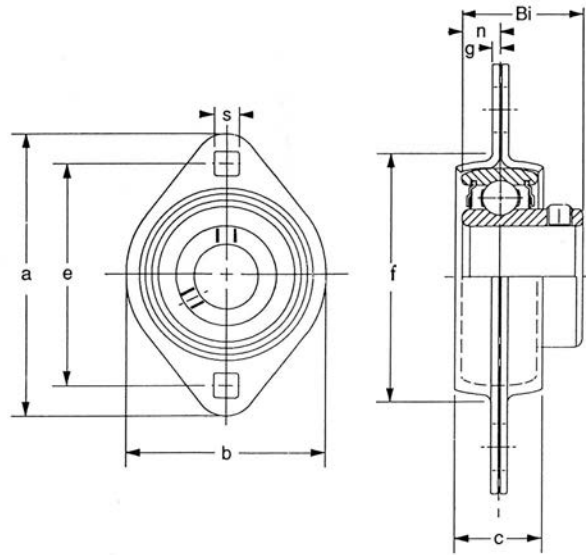
BEARING UNITS



TWO BOLT FLANGETTE UNITS

SBPFL 200 Series

Normal Duty
Set Screw Locking



Unit No.	Shaft Dia.		Dimensions inch / mm								Bolt Size	Bearing No.	Housing No.	Weight Lbs kg	
	In.	mm	a	e	g	c	s	b	f	Bi					n
SBPFL 201-8 202-10	1/2		3-3/16 81.0	2-33/64 63.9	5/64 2.0	9/16 14.3	9/32 7.1	2-21/64 59.1	1-59/64 48.8	0.866 22.0	0.236 6.0	1/4 M6	SB 201-8 202-10	PFL203	0.42 0.19
	5/8														
SBPFL 204 204-12	3/4	20	3-35/64 90.1	2-51/64 71.0	3/32 2.4	5/8 15.9	11/32 8.7	2-5/8 66.7	2-7/32 56.4	0.954 24.2	0.276 7.0	5/16 M8	SB 204 204-12	PFL204	0.53 0.24
SBPFL 205 205-14 205-15 205-16	7/8	25	3-3/4 95.3	2-63/64 75.8	3/32 2.4	21/32 16.7	11/32 8.7	2-51/64 71.0	2-3/8 60.3	1.063 27.0	0.295 7.5	5/16 M8	SB 205 205-14 205-15 205-16	PFL205	0.62 0.28
	15/16														
	1														
SBPFL 206 206-17 206-18 206-19 206-20	1-1/16	30	4-7/16 112.7	3-35/64 90.1	7/64 2.8	21/32 16.7	13/32 10.3	3-5/16 84.1	2-51/64 71.0	1.181 30.0	0.315 8.0	3/8 M10	SB 206 206-17 206-18 206-19 206-20	PFL206	0.84 0.38
	1-1/8														
	1-3/16														
	1-1/4S														
SBPFL 207 207-20 207-21 207-22 207-23	1-1/4	35	4-29/32 124.6	3-15/16 100.0	7/64 2.8	7/8 22.2	13/32 10.3	3-11/16 93.7	3-3/16 81.0	1.260 32.0	0.335 8.5	3/8 M10	SB 207 207-20 207-21 207-22 207-23	PFL207	0.99 0.45
	1-5/16														
	1-3/8														
	1-7/16														

Standard Stock Item is Zinc Plated.