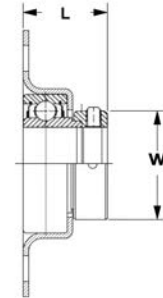
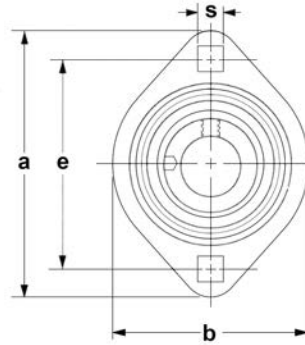




BEARING UNITS

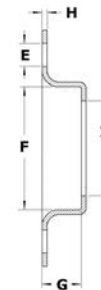


TWO BOLT FLUSH MOUNT FLANGETTE UNITS CSAMFM 200 Series Normal Duty Eccentric Collar Locking



Unit No.	Shaft Dia.		Dimensions inch / mm						Bolt Size	Bearing No.	Housing No.	Weight Lbs kg
	In.	mm	a	e	s	b	L	W				
CSA40MFM 201-8 202-10	1/2		3-3/16	2-33/64	9/32	2-21/64	1.126	1-1/8	1/4	CSA201-8 202-10	40-2-MFM	0.44 0.20
	5/8		81.0	63.9	7.1	59.1	28.6	28.6	M6			
CSA47MFM 204 204-12	3/4	20	3-35/64	2-51/64	11/32	2-5/8	1.220	1-1/4	5/16	CSA204 204-12	47-2-MFM	0.66 0.30
			90.1	71.0	8.7	66.7	31.0	31.8	M8			
CSA52MFM 205 205-14 205-15 205-16	7/8	25	3-3/4	3	11/32	2-51/64	1.220	1-1/2	5/16	CSA205 205-14 205-15 205-16	52-2-MFM	0.66 0.30
	15/16		95.3	76.2	8.7	71.0	31.0	38.1	M8			
	1											
CSA62MFM 206 206-17 206-18 206-19 206-20	1-1/16	30	4-7/16	3-35/64	13/32	3-5/16	1.406	1-3/4	3/8	CSA206 206-17 206-18 206-19 206-20	62-2-MFM	1.10 0.50
	1-1/8		112.7	90.1	10.3	84.1	35.7	44.5	M10			
	1-3/16											
	1-1/4											

Housing Only Part Number	Shaft Size	Dimensions (In.)				
		E	F	G	H	I
40-2-MFM	1/2	9/32	1.5748	0.512	0.074	1.250
	5/8	Square	(40 mm)			
47-2-MFM	3/4	11/32	1.8504	0.590	0.074	1.428
		Square	(47 mm)			
52-2-MFM	7/8	11/32	2.0472	0.590	0.074	1.625
	15/16, 1	Square	(52 mm)			
62-2-MFM	1-1/16, 1-1/8	13/32	2.4409	0.709	0.089	2.018
	1-3/16, 1-1/4	Square	(62 mm)			



Standard Stock Item is Zinc Plated