

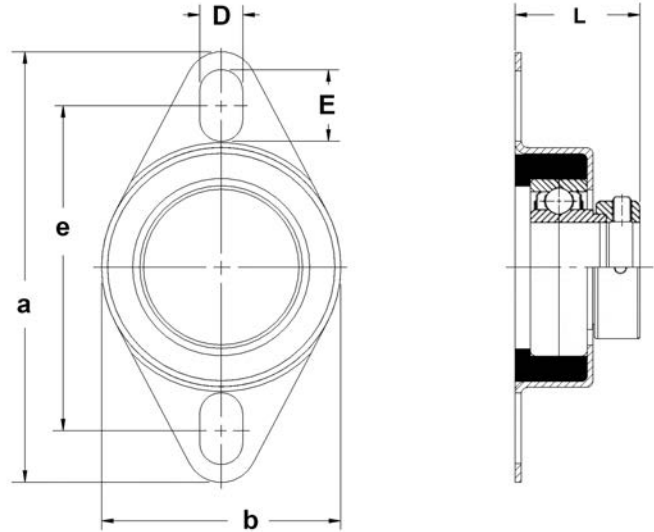


# BEARING UNITS



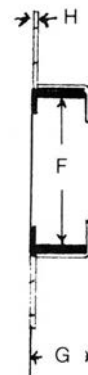
## TWO BOLT FLUSH MOUNT UNITS Vibration Damping Rubber Cushion CSAMFMR 200 Series

Normal Duty  
Eccentric Collar Locking



Unit No.	Shaft Dia.		Dimensions inch / mm					Bolt Size	Bearing No.	Stamped Housing with Rubber Boot	Weight Lbs / kg	
	In.	mm	a	e	b	D	E					L
CSA728MFM 201-8 202-10	1/2 5/8		4 101.6	3 76.2	2 50.8	29/64 11.5	3/4 19.1	1.126 28.6	1/4 M6	CSA201-8 202-10	728-2-MFM	0.30 0.14
CSA729MFM 204 204-12	3/4	20	4-1/2 114.3	3-3/8 85.7	2-1/2 63.5	29/64 11.5	3/4 19.1	1.220 31.0	5/16 M8	CSA204 204-12	729-2-MFM	0.50 0.23
CSA730MFM 205 205-14 205-15 205-16	7/8 15/16 1	25	4-1/2 114.3	3-3/8 85.7	2-1/2 63.5	29/64 11.5	3/4 19.1	1.220 31.0	5/16 M8	CSA205 205-14 205-15 205-16	730-2-MFM	0.50 0.23

Housing Only Part Number	Shaft Size	Dimensions (In.)		
		F	G	H
728-2-MFM	1/2 5/8	1.5748 (40 mm)	5/8	16 GA.
729-2-MFM	3/4	1.8504 (47 mm)	3/4	16 GA.
730-2-MFM	7/8 15/16, 1	2.0472 (52 mm)	3/4	16 GA.



Standard Stock Item is Zinc Plated