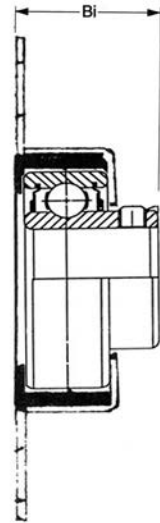
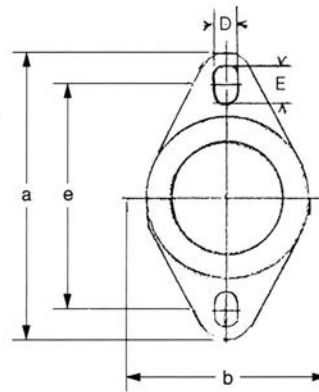




BEARING UNITS

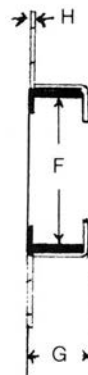


TWO BOLT FLUSH MOUNT UNITS
Vibration Damping Rubber Cushion
CSBMFMR 200 Series
 Normal Duty
 Set Screw Locking



Unit No.	Shaft Dia.		Dimensions inch / mm					Bolt Size	Bearing No.	Stamped Housing with Rubber Boot	Weight Lbs kg	
	In.	mm	a	e	b	D	E					Bi
CSB728MFM 201-8 202-10	1/2		4 101.6	3 76.2	2 50.8	29/64 11.5	3/4 19.1	0.875 22.2	1/4 M6	CSB201-8 202-10	728-2-MFM	0.30 0.14
	5/8											
CSB729MFM 204 204-12	3/4	20	4-1/2 114.3	3-3/8 85.7	2-1/2 63.5	29/64 11.5	3/4 19.1	0.969 24.6	5/16 M8	CSB204 204-12	729-2-MFM	0.50 0.23
CSB730MFM 205 205-14 205-15 205-16	7/8	25	4-1/2 114.3	3-3/8 85.7	2-1/2 63.5	29/64 11.5	3/4 19.1	1.063 27.0	5/16 M8	CSB205 205-14 205-15 205-16	730-2-MFM	0.50 0.23
	15/16											
	1											

Housing Only Part Number	Shaft Size	Dimensions (In.)		
		F	G	H
728-2-MFM	1/2	1.5748 (40 mm)	0.512	0.074
	5/8			
729-2-MFM	3/4	1.8504 (47 mm)	0.590	0.074
730-2-MFM	7/8	2.0472 (52 mm)	0.590	0.074
	15/16, 1			



Standard Stock Item is Zinc Plated