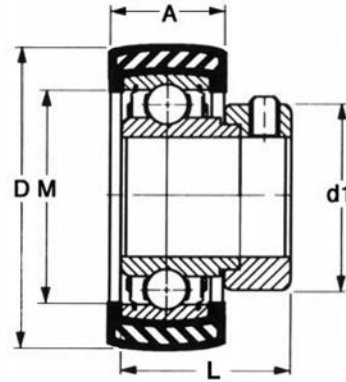




BEARING UNITS



RUBBER CARTRIDGES - Spherical OD - Vibration Damping
SAR 200 Series
 Normal Duty
 Eccentric Collar Locking



Unit No.	Shaft Dia.		Dimensions inch / mm							Bearing No.	Rubber No.	Radial Load Rating Lbf / N
	In.	mm	D	L	A	M	d1	S1	T			
SAR 201-8 202-10	1/2 5/8		1-55/64 47.2	1.126 28.6	11/16 17.5	1-3/8 34.9	1-1/8 28.6	7/8 22.2	11/32 8.7	SA 201-8 202-10	R-4	200 889
SAR 204 204-12	3/4	20	2-7/64 53.6	1.220 31.0	11/16 17.5	1-5/8 41.3	1-5/16 33.3	59/64 23.4	11/32 8.7	SA 204 204-12	R-5	250 1110
SAR 205 205-14 205-15 205-16	7/8 15/16 1	25	2-29/64 62.3	1.220 31.0	13/16 20.6	1-27/32 46.8	1-1/2 38.1	59/64 23.4	13/32 10.3	SA 205 205-14 205-15 205-16	R-6	300 1330
SAR 206 206-17 206-18 206-19 206-20	1-1/16 1-1/8 1-3/16 1-1/4S	30	2-27/32 72.2	1.406 35.7	7/8 22.2	2-7/16 61.9	1-3/4 44.5	1-1/8 28.6	13/32 10.3	SA 206 206-17 206-18 206-19 206-20	R-7	300 1330