

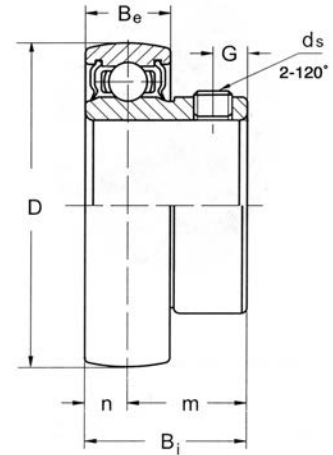


NARROW INNER RING BEARINGS



SB 200 Series - Spherical OD

Normal Duty
Set Screw Locking
Available Relubricatable
Add Suffix "G"



Unit No.	Shaft Dia.		Dimensions inch / mm							Basic load Ratings lbf / N		Weight	
	In.	mm	D	Bi	Be	n	m	G	ds	dynamic C	static Co	kg	Lbs
SB 201		12										0.10	0.22
201-8	1/2											0.10	0.22
202		15	1.575	0.866	15/32	0.236	5/8	0.157	1/4-28UNF	2160	990	0.09	0.20
202-10	5/8		40.0	22.0	11.9	6.0	16.0	4.0	M6x1.0	9600	4400	0.09	0.20
SB 204		20										0.13	0.29
204-12	3/4		1.850	0.984	9/16	0.276	23/32	0.197	1/4-28UNF	2900	1460	0.13	0.29
			47.0	25.0	14.3	7.0	18.0	5.0	M6x1.0	12890	6490		
SB 205		25										0.16	0.35
205-14	7/8		2.047	1.063	19/32	0.295	49/64	0.216	1/4-28UNF	3150	1700	0.18	0.40
205-15	15/16		52.0	27.0	15.1	7.5	19.5	5.5	M6x1.0	14000	7560	0.18	0.40
205-16	1											0.16	0.35
SB 206		30										0.25	0.55
206-17	1-1/16		2.441	1.181	5/8	0.315	7/8	0.236	5/16-24UNF	4390	2510	0.27	0.59
206-18	1-1/8		62.0	30.0	15.9	8.0	22.0	6.0	M8x1.0	19510	11160	0.26	0.57
206-19	1-3/16											0.25	0.55
206-20	1-1/4S											0.24	0.53
SB 207		35										0.38	0.84
207-20	1-1/4		2.835	1.260	21/32	0.335	59/64	0.236	5/16-24UNF	5770	3450	0.43	0.95
207-21	1-5/16		72.0	32.0	16.7	8.5	23.5	6.0	M8x1.0	25640	15330	0.42	0.92
207-22	1-3/8											0.38	0.84
207-23	1-7/16											0.31	0.68
SB 208		40										0.50	1.10
208-24	1-1/2		3.149	1.339	23/32	0.354	31/32	0.276	5/16-24UNF	6500	3850	0.52	1.14
208-25	1-9/16		80.0	34.0	18.3	9.0	24.6	7.0	M8x1.0	28890	17110	0.52	1.14
SB 209		45										0.65	1.43
209-26	1-5/8		3.346	1.614	3/4	0.375	1-1/4	0.315	5/16-24UNF	7350	4100	0.76	1.67
209-27	1-11/16		85.0	41.0	19.1	9.5	31.5	8.0	M8x1.0	32670	18220	0.73	1.61
209-28	1-3/4											0.70	1.54
SB 210		50										0.70	1.54
210-30	1-7/8		3.543	1.693	25/32	0.394	1-19/64	0.354	3/8-24UNF	7900	4690	0.83	1.83
210-31	1-15/16		90.0	43.0	19.8	10.0	32.9	9.0	M10x1.25	35120	20850	0.79	1.74
210-32	2S											0.82	1.80
SB 211		55										0.77	1.69
211-32	2		3.937	1.750	15/16	0.472	1-9/32	0.354	3/8-24UNF	9750	5850	0.96	2.11
			100.0	44.5	23.8	12.0	32.5	9.0	M10x1.25	43340	26000		