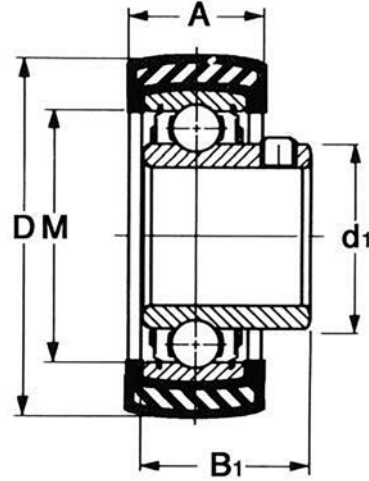




BEARING UNITS



RUBBER CARTRIDGES - Spherical OD - Vibration Damping
SBR 200 Series
 Normal Duty
 Set Screw Locking



Unit No.	Shaft Dia.		Dimensions (mm)					Bearing No.	Rubber No.	Radial Load Rating lbf / N
	In.	mm	D	B1	A	M	d1			
	SBR 201-8 202-10	1/2 5/8								
SBR 204 204-12	3/4	20	2-7/64 53.6	0.984 25.0	11/16 17.5	1-5/8 41.3	1-1/8 28.7	SB 204 204-12	R-5	250 1110
SBR 205 205-14 205-15 205-16	7/8 15/16 1	25	2-29/64 62.3	1.063 27.0	13/16 20.6	1-27/32 46.8	1-5/16 33.7	SB 205 205-14 205-15 205-16	R-6	300 1330
SBR 206 206-17 206-18 206-19 206-20	1-1/16 1-1/8 1-3/16 1-1/4S	30	2-27/32 72.2	1.181 30.0	7/8 22.2	2-7/16 61.9	1-19/32 40.5	SB 206 206-17 206-18 206-19 206-20	R-7	300 1330