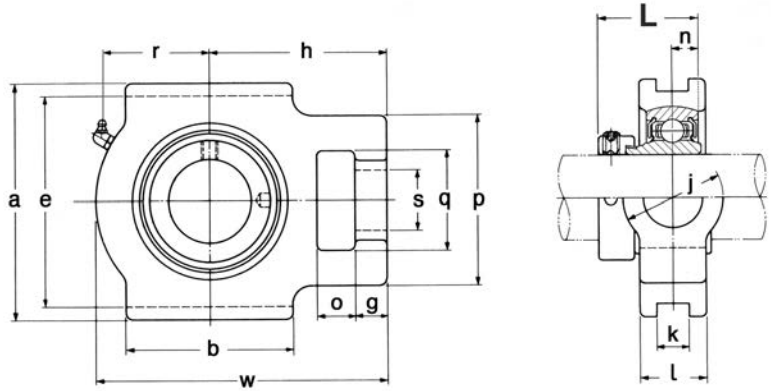




BEARING UNITS



TAKE-UP UNITS - Metric Slot Width SAT 200 Series Normal Duty Eccentric Collar Locking



Unit No.	Shaft Dia.		Dimensions															Bearing No.	Housing No.	Weight Lbs kg	
	In.	mm	mm																		
			o	g	p	q	s	b	k	e	a	w	l	j	r	h	L	n			
SAT 204 204-12	3/4	20	5/8 15.9	13/32 10.3	2 50.8	1-1/4 31.8	3/4 19.1	2 50.8	12	3 76.2	3-1/2 88.9	3-11/16 93.7	13/16 20.6	1-1/4 31.8	1-19/64 32.9	2-13/32 61.1	1.220 31.0	0.276 7.0	SA 204 204-12	T 204	1.69 0.77
SAT 205 205-14 205-15 205-16	7/8 15/16 1	25	5/8 15.9	13/32 10.3	2 50.8	1-1/4 31.8	3/4 19.1	2 50.8	12	3 76.2	3-1/2 88.9	3-13/16 96.8	15/16 23.8	1-1/4 31.8	1-3/8 34.9	2-7/16 61.9	1.220 31.0	0.295 7.5	SA 205 205-14 205-15 205-16	T 205	1.89 0.86
SAT 206 206-17 206-18 206-19 206-20	1-1/16 1-1/8 1-3/16 1-1/4S	30	5/8 15.9	13/32 10.3	2-7/32 56.4	1-29/64 36.9	7/8 22.2	2-1/4 57.2	12	3-1/2 88.9	4-1/64 102.0	4-7/16 112.7	1-3/32 27.8	1-29/64 36.9	1-11/16 42.9	2-3/4 69.9	1.406 35.7	0.315 8.0	SA 206 206-17 206-18 206-19 206-20	T 206	2.90 1.32
SAT 207 207-20 207-21 207-22 207-23	1-1/4 1-5/16 1-3/8 1-7/16	35	5/8 15.9	1/2 12.7	2-33/64 63.9	1-29/64 36.9	7/8 22.2	2-33/64 63.9	12	3-1/2 88.9	4-1/64 102.0	5-5/64 129.0	1-3/16 30.2	1-29/64 36.9	2 50.8	3-5/64 78.2	1.531 38.9	0.335 8.5	SA 207 207-20 207-21 207-22 207-23	T 207	3.50 1.59
SAT 208 208-24 208-25	1-1/2 1-9/16	40	3/4 19.1	5/8 15.9	3-9/32 83.3	1-59/64 48.8	1-3/16 30.2	3-9/32 83.3	16	4-1/64 102.0	4-1/2 114.3	5-11/16 144.5	1-19/64 32.9	1-59/64 48.8	2-7/32 56.4	3-15/32 88.1	1.720 43.7	0.354 9.0	SA 208 208-24 208-25	T 208	5.06 2.30
SAT 209 209-26 209-27 209-28	1-5/8 1-11/16 1-3/4	45	3/4 19.1	5/8 15.9	3-9/32 83.3	1-59/64 48.8	1-3/16 30.2	3-9/32 83.3	16	4-1/64 102.0	4-19/32 116.7	5-23/32 145.3	1-3/8 34.9	1-59/64 48.8	2-1/4 57.2	3-15/32 88.1	1.720 43.7	0.374 9.5	SA 209 209-26 209-27 209-28	T 209	5.50 2.50
SAT 210 210-30 210-31 210-32	1-7/8 1-15/16 2S	50	3/4 19.1	5/8 15.9	3-9/32 83.3	1-59/64 48.8	1-3/16 30.2	3-25/64 86.1	16	4-1/64 102.0	4-19/32 116.7	5-15/16 150.8	1-29/64 36.9	1-59/64 48.8	2-21/64 59.1	3-5/8 92.1	1.720 43.7	0.394 10.0	SA 210 210-30 210-31 210-32	T 210	5.72 2.60