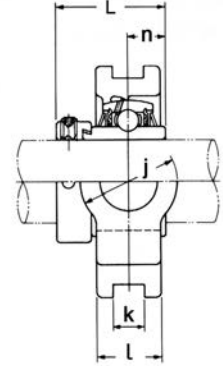
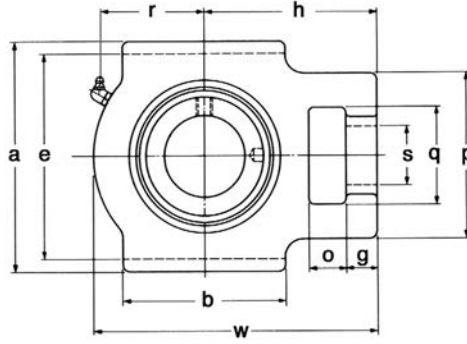




# BEARING UNITS



## TAKE-UP UNITS - Metric Slot Width HCT 200 Series Normal Duty Eccentric Collar Locking



Unit No.	Shaft Dia.		Dimensions inch / mm															Bearing No.	Housing No.	Weight Lbs / kg	
	In.	mm	o	g	p	q	s	b	k	e	a	w	l	j	r	h	L				n
HCT 201-8 202-10 204	1/2 5/8	20	5/8 15.9	13/32 10.3	2 50.8	1-1/4 31.8	3/4 19.1	2 50.8	12	3 76.2	3-1/2 88.9	3-11/16 93.7	13/16 20.6	1-1/4 31.8	1-19/64 32.9	2-13/32 61.1	1.713 43.5	0.669 17.0	HC 201-8 202-10 204	T 204	1.76 0.80
HCT 205 205-14 205-15 205-16	7/8 15/16	25	5/8 15.9	13/32 10.3	2 50.8	1-1/4 31.8	3/4 19.1	2 50.8	12	3 76.2	3-1/2 88.9	3-13/16 96.8	15/16 23.8	1-1/4 31.8	1-3/8 34.9	2-7/16 61.9	1.744 44.3	0.685 17.4	HC 205 205-14 205-15 205-16	T 205	1.98 0.90
HCT 206 206-17 206-18 206-19 206-20	1-1/16 1-1/8 1-3/16 1-1/4	30	5/8 15.9	13/32 10.3	2-7/32 56.4	1-29/64 36.9	7/8 22.2	2-1/4 57.2	12	3-1/2 88.9	4-1/64 102.0	4-7/16 112.7	1-3/32 27.8	1-29/64 36.9	1-11/16 42.9	2-3/4 69.9	1.902 48.3	0.717 18.2	HC 206 206-17 206-18 206-19 206-20	T 206	3.12 1.42
HCT 207 207-20 207-21 207-22 207-23	1-1/4 1-5/16 1-3/8 1-7/16	35	5/8 15.9	1/2 12.7	2-33/64 63.9	1-29/64 36.9	7/8 22.2	2-33/64 63.9	12	3-1/2 88.9	4-1/64 102.0	5-5/64 129.0	1-3/16 30.2	1-29/64 36.9	2 50.8	3-5/64 78.2	2.012 51.1	0.740 18.8	HC 207 207-20 207-21 207-22 207-23	T 207	3.74 1.70
HCT 208 208-24 208-25	1-1/2 1-9/16	40	3/4 19.1	5/8 15.9	3-9/32 83.3	1-59/64 48.8	1-3/16 30.2	3-9/32 83.3	16	4-1/64 102.0	4-1/2 114.3	5-11/16 144.5	1-19/64 32.9	1-59/64 48.8	2-7/32 56.4	3-15/32 88.1	2.217 56.3	0.843 21.4	HC 208 208-24 208-25	T 208	5.50 2.50
HCT 209 209-26 209-27 209-28	1-5/8 1-11/16 1-3/4	45	3/4 19.1	5/8 15.9	3-9/32 83.3	1-59/64 48.8	1-3/16 30.2	3-9/32 83.3	16	4-1/64 102.0	4-19/32 116.7	5-23/32 145.3	1-3/8 34.9	1-59/64 48.8	2-1/4 57.2	3-15/32 88.1	2.217 56.3	0.843 21.4	HC 209 209-26 209-27 209-28	T 209	5.83 2.65
HCT 210 210-30 210-31 210-32	1-7/8 1-15/16 25	50	3/4 19.1	5/8 15.9	3-9/32 83.3	1-59/64 48.8	1-3/16 30.2	3-25/64 86.1	16	4-1/64 102.0	4-19/32 116.7	5-15/16 150.8	1-29/64 36.9	1-59/64 48.8	2-21/64 59.1	3-5/8 92.1	2.469 62.7	0.969 24.6	HC 210 210-30 210-31 210-32	T 210	6.16 2.80
HCT 211 211-32 211-34 211-35	2 2-1/8 2-3/16	55	31/32 24.6	3/4 19.1	4-1/64 102.0	2-33/64 63.9	1-3/8 34.9	3-3/4 95.3	22	5-1/8 130.2	5-3/4 146.1	6-23/32 170.7	1-1/2 38.1	2-33/64 63.9	2-9/16 65.1	4-11/64 106.0	2.811 71.4	1.091 27.7	HC 211 211-32 211-34 211-35	T 211	9.68 4.40
HCT 212 212-36 212-37 212-38 212-39	2-1/4 2-5/16 2-3/8 2-7/16	60	1-1/4 31.8	3/4 19.1	4-1/64 102.0	2-33/64 63.9	1-3/8 34.9	4-1/64 102.0	22	5-1/8 130.2	5-3/4 146.1	7-5/8 193.7	1-21/32 42.1	2-33/64 63.9	2-61/64 75.0	4-11/16 119.1	3.059 77.7	1.217 30.9	HC 212 212-36 212-37 212-38 212-39	T 212	11.22 5.10
HCT 213 213-41	2-9/16	65	1-1/4 31.8	13/16 20.6	4-3/8 111.1	2-3/4 69.9	1-5/8 41.3	4-49/64 121.0	26	5-15/16 150.8	6-9/16 166.7	8-13/16 223.8	1-3/4 44.5	2-3/4 69.9	3-7/16 87.3	5-25/64 136.9	3.374 85.7	1.343 34.1	HC 213 213-41	T 213	15.73 7.15
HCT 214 214-42 214-43 214-44	2-5/8 2-11/16 2-3/4	70	1-1/4 31.8	13/16 20.6	4-3/8 111.1	2-3/4 69.9	1-5/8 41.3	4-49/64 121.0	26	5-15/16 150.8	6-9/16 166.7	8-13/16 223.8	1-13/16 46.0	2-3/4 69.9	3-7/16 87.3	5-25/64 136.9	3.374 85.7	1.343 34.1	HC 214 214-42 214-43 214-44	T 214	16.06 7.30
HCT 215 215-45 215-46 215-47 215-48	2-13/16 2-7/8 2-15/16 3	75	1-1/4 31.8	13/16 20.6	4-3/8 111.1	2-3/4 69.9	1-5/8 41	4-49/64 121.0	26	5-15/16 150.8	6-9/16 166.7	8-1/8 231.8	1-15/16 49.2	2-3/4 69.9	3-5/8 92.1	5-1/2 139.7	3.626 92.1	1.469 37.3	HC 215 215-45 215-46 215-47 215-48	T 215	17.82 8.10