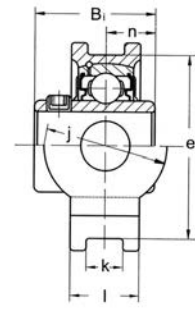
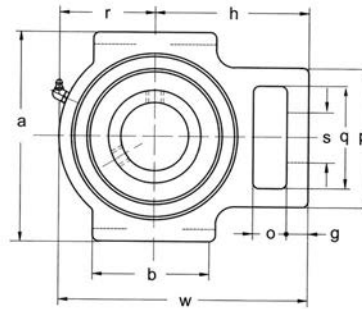




BEARING UNITS



TAKE-UP UNITS - Metric Slot Width
UCT 200 Series
 Normal Duty
 Set Screw Locking



Unit No.	Shaft Dia.		Dimensions inch / mm														Bearing No.	Housing No.	Weight Lbs kg		
	In.	mm	o	g	p	q	s	b	k	e	a	w	l	j	r	h				Bi	n
UCT 201-8	1/2																		UC 201-8		
202-10	5/8		5/8	13/32	2	1-1/4	3/4	2	12	3	3-1/2	3-11/16	13/16	1-1/4	1-19/64	2-13/32	1.220	0.500	202-10	T 204	1.69
204		20	15.9	10.3	50.8	31.8	19.1	50.8		76.2	88.9	93.7	20.6	31.8	32.9	61.1	31	12.7	204		0.77
204-12	3/4																		204-12		
UCT 205		25																	UC 205		
205-14	7/8		5/8	13/32	2	1-1/4	3/4	2	12	3	3-1/2	3-13/16	15/16	1-1/4	1-3/8	2-7/16	1.339	0.563	205-14	T 205	1.89
205-15	15/16		15.9	10.3	50.8	31.8	19.1	50.8		76.2	88.9	96.8	23.8	31.8	34.9	61.9	34	14.3	205-15		0.86
205-16	1																		205-16		
UCT 206		30																	UC 206		
206-17	1-1/16		5/8	13/32	2-7/32	1-29/64	7/8	2-1/4	12	3-1/2	4-1/64	4-7/16	1-3/32	1-29/64	1-11/16	2-3/4	1.500	0.626	206-17	T 206	2.90
206-18	1-1/8		15.9	10.3	56.4	36.9	22.2	57.2		88.9	102.0	112.7	27.8	36.9	42.9	69.9	38.1	15.9	206-18		1.32
206-19	1-3/16																		206-19		
206-20	1-1/4S																		206-20		
UCT 207		35																	UC 207		
207-20	1-1/4		5/8	1/2	2-33/64	1-29/64	7/8	2-33/64	12	3-1/2	4-1/64	5-5/64	1-3/16	1-29/64	2	3-5/64	1.689	0.689	207-20	T 207	3.50
207-21	1-5/16		15.9	12.7	63.9	36.9	22.2	63.9		88.9	102.0	129.0	30.2	36.9	50.8	78.2	42.9	17.5	207-21		1.59
207-22	1-3/8																		207-22		
207-23	1-7/16																		207-23		
UCT 208		40																	UC 208		
208-24	1-1/2		3/4	5/8	3-9/32	1-59/64	1-3/16	3-9/32	16	4-1/64	4-1/2	5-11/16	1-19/64	1-59/64	2-7/32	3-15/32	1.937	0.748	208-24	T 208	5.06
208-25	1-9/16		19.1	15.9	83.3	48.8	30.2	83.3		102.0	114.3	144.5	32.9	48.8	56.4	88.1	49.2	19.0	208-25		2.30
UCT 209		45																	UC 209		
209-26	1-5/8		3/4	5/8	3-9/32	1-59/64	1-3/16	3-9/32	16	4-1/64	4-19/32	5-23/32	1-3/8	1-59/64	2-1/4	3-15/32	1.937	0.748	209-26	T 209	5.50
209-27	1-11/16		19.1	15.9	83.3	48.8	30.2	83.3		102.0	116.7	145.3	34.9	48.8	57.2	88.1	49.2	19.0	209-27		2.50
209-28	1-3/4																		209-28		
UCT 210		50																	UC 210		
210-30	1-7/8		3/4	5/8	3-9/32	1-59/64	1-3/16	3-25/64	16	4-1/64	4-19/32	5-15/16	1-29/64	1-59/64	2-21/64	3-5/8	2.031	0.748	210-30	T 210	5.72
210-31	1-15/16		19.1	15.9	83.3	48.8	30.2	86.1		102.0	116.7	150.8	36.9	48.8	59.1	92.1	51.6	19.0	210-31		2.60
210-32	2S																		210-32		
UCT 211		55																	UC 211		
211-32	2		31/32	3/4	4-1/64	2-33/64	1-3/8	3-3/4	22	5-1/8	5-3/4	6-23/32	1-1/2	2-33/64	2-9/16	4-11/64	2.187	0.874	211-32	T 211	9.02
211-34	2-1/8		24.6	19.1	102.0	63.9	34.9	95.3		130.2	146.1	170.7	38.1	63.9	65.1	106.0	55.5	22.2	211-34		4.10
211-35	2-3/16																		211-35		
UCT 212		60																	UC 212		
212-36	2-1/4		1-1/4	3/4	4-1/64	2-33/64	1-3/8	4-1/64	22	5-1/8	5-3/4	7-5/8	1-21/32	2-33/64	2-61/64	4-11/16	2.563	1.000	212-36	T 212	10.56
212-37	2-5/16		31.8	19.1	102.0	63.9	34.9	102.0		130.2	146.1	193.7	42.1	63.9	75.0	119.1	65.1	25.4	212-37		4.80
212-38	2-3/8																		212-38		
212-39	2-7/16																		212-39		
UCT 213		65																	UC 213		
213-40	2-1/2		1-1/4	13/16	4-3/8	2-3/4	1-5/8	4-49/64	26	5-15/16	6-9/16	8-13/16	1-3/4	2-3/4	3-7/16	5-25/64	2.563	1.000	213-40	T 213	14.96
213-41	2-9/16		31.8	20.6	111.1	69.9	41.3	121.0		150.8	166.7	223.8	44.5	69.9	87.3	136.9	65.1	25.4	213-41		6.80
UCT 214		70																	UC 214		
214-42	2-5/8		1-1/4	13/16	4-3/8	2-3/4	1-5/8	4-49/64	26	5-15/16	6-9/16	8-13/16	1-13/16	2-3/4	3-7/16	5-25/64	2.937	1.189	214-42	T 214	15.40
214-43	2-11/16		31.8	20.6	111.1	69.9	41.3	121.0		150.8	166.7	223.8	46.0	69.9	87.3	136.9	74.6	30.2	214-43		7.00
214-44	2-3/4																		214-44		
UCT 215		75																	UC 215		
215-45	2-13/16		1-1/4	13/16	4-3/8	2-3/4	1-5/8	4-49/64	26	5-15/16	6-9/16	8-1/8	1-15/16	2-3/4	3-5/8	5-1/2	3.063	1.311	215-45	T 215	17.16
215-46	2-7/8		31.8	20.6	111.1	69.9	41.3	121.0		150.8	166.7	231.8	49.2	69.9	92.1	139.7	77.8	33.3	215-46		7.80
215-47	2-15/16																		215-47		
215-48	3																		215-48		