



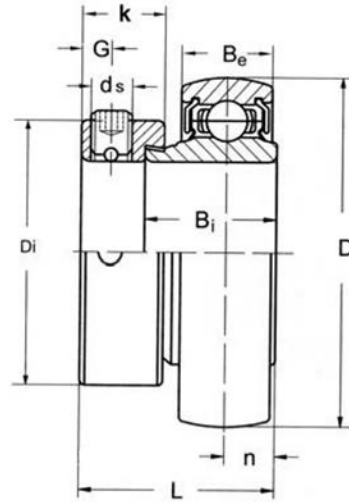
# NARROW INNER RING BEARINGS



## SA 200 Series - Spherical OD

Normal Duty  
Eccentric Collar Locking  
Available Relubricatable

Add Suffix "G"



Unit No.	Shaft Dia.		Dimensions inch / mm									Basic load Ratings lbf / N		Weight	
	In.	mm	D	L	Bi	Be	n	Di	K	G	ds	dynamic C	static Co	kg	Lbs
SA 201		12													
201-8	1/2	15	1.575	1.126	3/4	15/32	0.236	1-3/16	17/32	0.197	1/4-28UNF	2160	990	0.12	0.26
202			40.0	28.6	19.1	11.9	6.0	29.0	13.5	5.0	M6x1.0	9600	4400	0.11	0.24
202-10	5/8													0.11	0.24
SA 204		20													
204-12	3/4		1.850	1.220	27/32	9/16	0.276	1-19/64	17/32	0.197	1/4-28UNF	2900	1460	0.17	0.37
			47.0	31.0	21.5	14.3	7.0	33.0	13.5	5.0	M6x1.0	12890	6490	0.16	0.35
SA 205		25													
205-14	7/8		2.047	1.220	27/32	19/32	0.295	1-1/2	17/32	0.197	1/4-28UNF	3150	1700	0.20	0.44
205-15	15/16		52.0	31.0	21.5	15.1	7.5	38.0	13.5	5.0	M6x1.0	14000	7560	0.22	0.48
205-16	1													0.21	0.46
SA 206		30													
206-17	1-1/16		2.441	1.406	15/16	5/8	0.315	1-3/4	5/8	0.236	1/4-28UNF	4390	2510	0.31	0.68
206-18	1-1/8		62.0	35.7	23.8	15.9	8.0	44.5	15.9	6.0	M6x1.0	19510	11160	0.33	0.73
206-19	1-3/16													0.33	0.73
206-20	1-1/4S													0.30	0.66
SA 207		35													
207-20	1-1/4		2.835	1.531	1	21/32	0.335	2-3/16	11/16	0.236	5/16-24UNF	5770	3450	0.49	1.08
207-21	1-5/16		72.0	38.9	25.4	16.7	8.5	55.5	17.5	6.0	M8x1.0	25650	15340	0.52	1.14
207-22	1-3/8													0.50	1.10
207-23	1-7/16													0.47	1.03
SA 208		40													
208-24	1-1/2		3.149	1.719	1-3/16	23/32	0.354	2-3/8	23/32	0.276	5/16-24UNF	6500	3850	0.66	1.45
208-25	1-9/16		80.0	43.7	30.2	18.3	9.0	60.0	18.3	7.0	M8x1.0	28890	17110	0.64	1.41
SA 209		45													
209-26	1-5/8		3.346	1.719	1-3/16	3/4	0.375	2-1/2	23/32	0.276	5/16-24UNF	7350	4100	0.65	1.43
209-27	1-11/16		85.0	43.7	30.2	19.1	9.5	63.5	18.3	7.0	M8x1.0	32670	18220	0.76	1.67
209-28	1-3/4													0.73	1.61
SA 210		50													
210-30	1-7/8		3.543	1.719	1-3/16	25/32	0.394	2-3/4	23/32	0.276	3/8-24UNF	7900	4690	0.70	1.54
210-31	1-15/16		90.0	43.7	30.2	19.8	10.0	69.8	18.3	7.0	M10x1.25	35120	20850	0.83	1.83
210-32	2S													0.79	1.74
SA 211		55													
211-32	2		3.937	1.906	1-9/32	15/16	0.472	3	13/16	0.315	3/8-24UNF	9750	5850	0.77	1.69
211-34	2-1/8		100.0	48.4	32.5	23.8	12.0	76.2	20.6	8.0	M10x1.25	43340	26000	0.96	2.11
211-35	2-3/16													0.87	1.91
														0.81	1.78