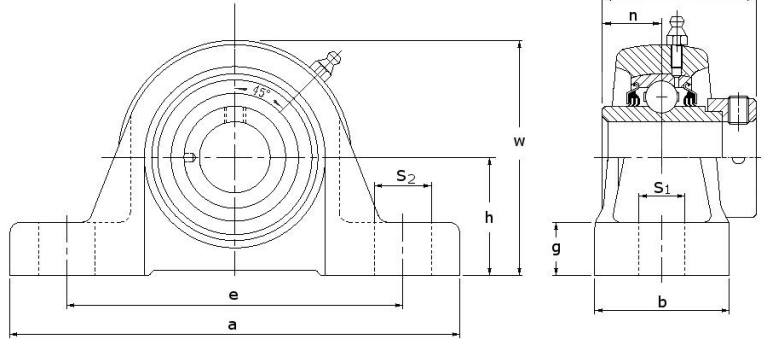




BEARING UNITS



PILLOW BLOCKS - R3BO Insert Bearing
HCPE 200 R3BO Series
 Normal Duty
 Eccentric Collar Locking
 Solid Base



Unit No.	Shaft Dia. In.	Dimensions inch / mm										Bolt Size	Bearing No.	Housing No.	Weight Lbs kg
		h	a	e	b	S1	S2	g	w	Bi	n				
HCPE 205-16R3BO	1	1-7/16 36.5	5-1/2 139.7	4-1/8 104.8	1-1/2 38.1	1/2 12.7	5/8 15.9	5/8 15.9	2-3/4 69.9	1.744 44.3	0.685 17.4	3/8 M10	HC 205-16R3BO	PE205	2.33 1.06
HCPE 206-19R3BO 206-20R3BO	1-3/16 1-1/4S	1-11/16 42.9	6-1/2 165.1	4-49/64 121.0	1-7/8 47.6	21/32 16.7	13/16 20.6	23/32 18.3	3-9/32 83.3	1.902 48.3	0.717 18.2	1/2 M14	HC 206-19R3BO 206-20R3BO	PE206	3.74 1.70
HCPE 207-20R3BO 207-22R3BO 207-23R3BO	1-1/4 1-3/8 1-7/16	1-7/8 47.6	6-9/16 166.7	5 127.0	1-7/8 47.6	21/32 16.7	13/16 20.6	3/4 19.1	3-11/16 93.7	2.012 51.1	0.740 18.8	1/2 M14	HC 207-20R3BO 207-22R3BO 207-23R3BO	PE207	4.95 2.25
HCPE 208-24R3BO	1-1/2	1-15/16 49.2	7-1/4 184.2	5-25/64 136.9	2-1/8 54.0	21/32 16.7	31/32 24.6	3/4 19.1	3-15/16 100.0	2.217 56.3	0.843 21.4	1/2 M14	HC 208-24R3BO	PE208	6.16 2.80
HCPE 209-28R3BO	1-3/4	2-1/8 54.0	7-15/32 189.7	5-3/4 146.1	2-1/8 54.0	21/32 16.7	31/32 24.6	25/32 19.8	4-1/4 108.0	2.217 56.3	0.843 21.4	1/2 M14	HC 209-28R3BO	PE209	6.93 3.15
HCPE 210-31R3BO 210-32R3BO	2S	2-1/4 57.2	8-1/8 206.4	6-1/4 158.8	2-3/8 60.3	25/32 19.8	31/32 24.6	7/8 22.2	4-1/2 114.3	2.469 62.7	0.969 24.6	5/8 M16	HC 210-31R3BO 210-32R3BO	PE210	8.36 3.80
HCPE 211-32R3BO	2	2-1/2 63.5	8-5/8 219.1	6-23/32 170.7	2-3/8 60.3	25/32 19.8	31/32 24.6	7/8 22.2	4-31/32 126.2	2.811 71.4	1.091 27.7	5/8 M16	HC 211-32R3BO	PE211	10.34 4.70