

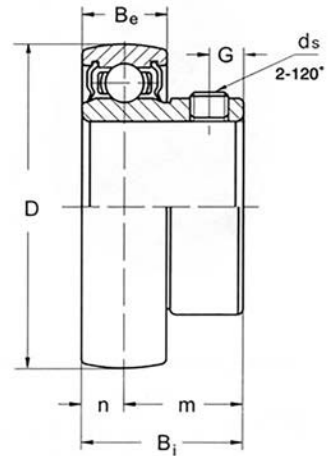


NARROW INNER RING BEARINGS



SSSB 200 Series

Normal Duty
Set Screw Locking



Unit No.	Shaft Dia.	Dimensions inch / mm							Basic load Ratings lbf / N		Weight	
	In.	D	Bi	Be	n	m	G	ds	dynamic C	static Co	kg	Lbs
SSSB 202-10	5/8	1.575 40.0	0.866 22.0	15/32 11.9	0.236 6.0	5/8 16.0	0.157 4.0	1/4-28UNF M6x1.0	2160 9600	990 4400	0.09	0.20
SSSB 204-12	3/4	1.850 47.0	0.984 25.0	9/16 14.3	0.276 7.0	23/32 18.0	0.197 5.0	1/4-28UNF M6x1.0	2900 12890	1460 6490	0.13	0.29
SSSB 205-16	1	2.047 52.0	1.063 27.0	19/32 15.1	0.295 7.5	49/64 19.5	0.216 5.5	1/4-28UNF M6x1.0	3150 14000	1700 7560	0.16	0.35