

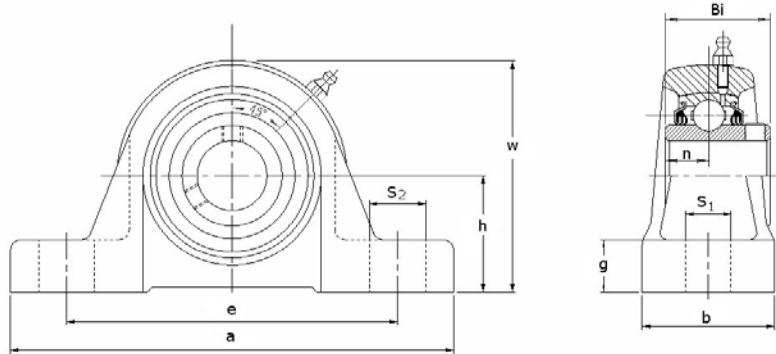
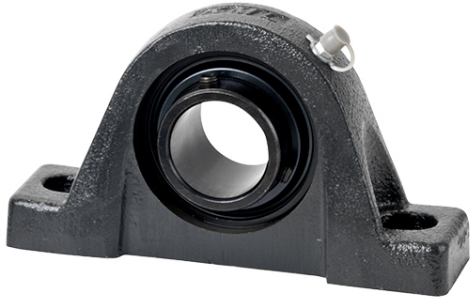


# BEARING UNITS



## PILLOW BLOCKS - Standard Shaft Height - R3BO Insert Bearing UCPE 200 R3BO Series

Normal Duty  
Set Screw Locking  
Solid Base



Unit No.	Shaft Dia.		Dimensions inch / mm									Bolt Size	Bearing No.	Housing No.	Weight Lbs kg	
	In.	mm	h	a	e	b	S1	S2	g	w	Bi					n
UCPE 205-16R3BO	1		1-7/16 36.6	5-1/2 140	4-1/8 105	1-1/2 38	1/2 13	5/8 16	5/8 16	2-3/4 70	1.339 34	0.563 14.3	M10 3/8	UC 205-16R3BO	PE205	2.2 1
UCPE 206-19R3BO 206-20R3BO	1-1/16 1-1/4S		1-11/16 42.9	6-1/2 165	4-49/64 121	1-7/8 48	21/32 17	13/16 21	23/32 18	3-9/32 83	1.500 38.1	0.626 15.9	1/2 M14	UC 206-19R3BO 206-20R3BO	PE206	3.5 1.6
UCPE 207-20R3BO 207-22R3BO 207-23R3BO	1-1/4 1-3/8 1-7/16		1-7/8 47.6	6-9/16 167	5 127	1-7/8 48	21/32 17	13/16 21	3/4 19	3-11/16 94	1.689 42.9	0.689 17.5	1/2 M14	UC 207-20R3BO 207-22R3BO 207-23R3BO	PE207	4.6 2.1
UCPE 208-24R3BO	1-1/2		1-15/16 49.2	7-1/4 184	5-25/64 137	2-1/8 54	21/32 17	31/32 25	3/4 19	3-15/16 100	1.937 49.2	0.748 19.0	1/2 M14	UC 208-24R3BO	PE208	5.7 2.6
UCPE 209 R3BO 209-28R3BO	1-3/4	45	2-1/8 54.0	7-15/32 190	5-3/4 146	2-1/8 54	21/32 17	31/32 25	25/32 20	4-1/4 108	1.937 49.2	0.748 19.0	1/2 M14	UC 209 R3BO 209-28R3BO	PE209	6.6 3
UCPE 210-31R3BO 210-32R3BO	1-15/16 2S		2-1/4 57.2	8-1/8 206	6-1/4 159	2-3/8 60	25/32 20	31/32 25	7/8 22	4-1/2 114	2.032 51.6	0.748 19.0	5/8 M16	UC 210-31R3BO 210-32R3BO	PE210	7.9 3.6